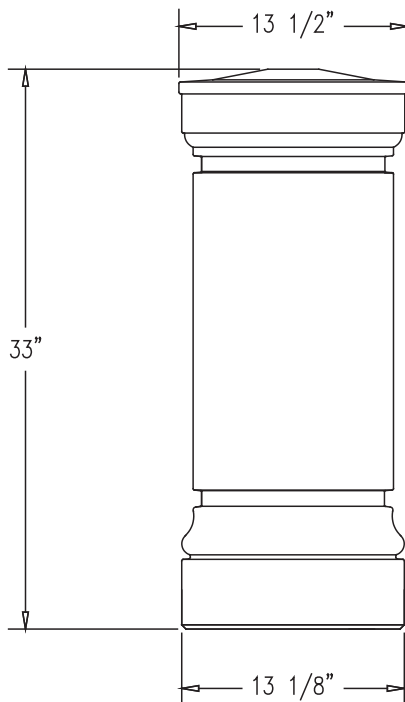


# WS6123

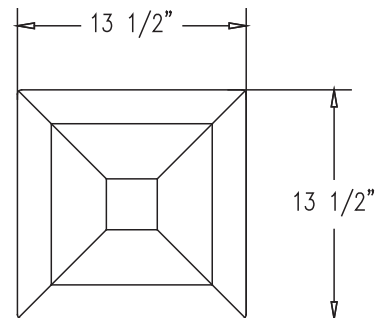
## Cartier Concrete Bollard

### Product Data

Size	13"x 13" x 33"h
Weight	420 lbs
Material	Reinforced Concrete
Anchoring	Option A -(4)3/8" Threaded Inserts Option B -4" dia x 14" Core
Sealed	Factory Sealed



ELEVATION VIEW



TOP VIEW