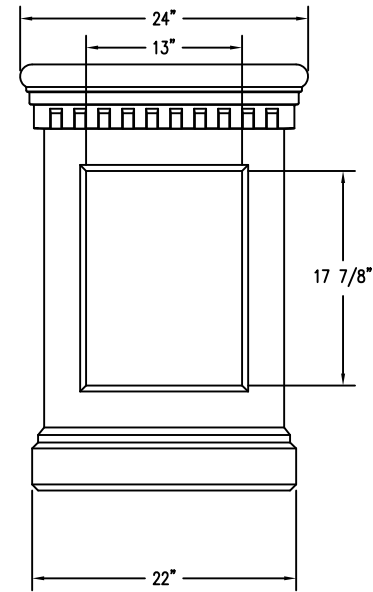
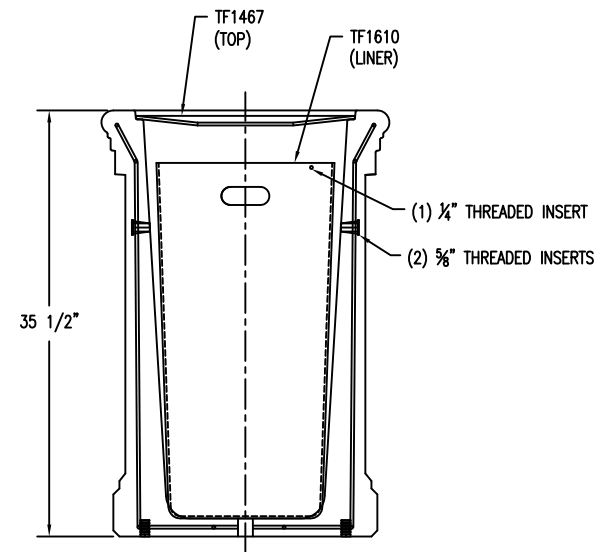


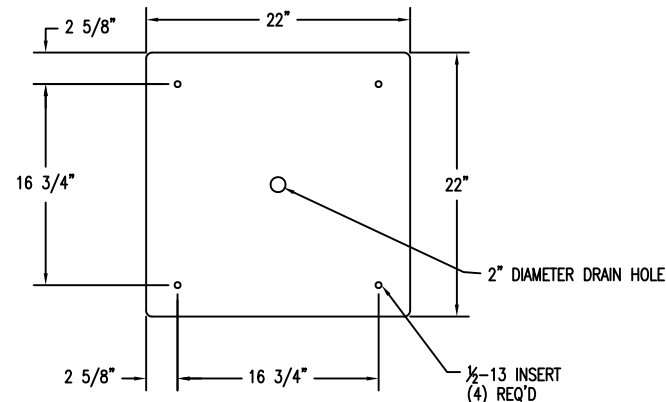
PLAN VIEW



ELEVATION VIEW



SECTION VIEW



BOTTOM VIEW

REVISION	DESCRIPTION	DRAWN BY	DATE
4			
3			
2			
1	CHANGED DRAIN HOLE SIZE	JPZ	10/11/11

DRAWN BY		JOB	MATERIAL
MJS			CONCRETE
JOB NO.		LOCATION	WEIGHT
			640 LBS
SCALE		DATE	ITEM NO.
1/8" = 1"		11/16/07	
FINISH OPTIONS		UNLESS OTHERWISE SPECIFIED DIMENSIONS ARE IN INCHES TOLERANCES: ±1/8"	DWG. NO.
			TF1022

P.O. BOX 1520 WAUSAU, WISCONSIN 54402-1520 800/388-8728
 E-MAIL: WTL@WAUSAUTILE.COM
 WEB SITE: WWW.WAUSAUTILE.COM