



Size: 108" x 40" x 18"

Weight: 3,725 lbs.

Material: Reinforced Concrete,
Wood

Reinforcing: Steel Rebar

Concrete Finish Options

-Standard Color Palette

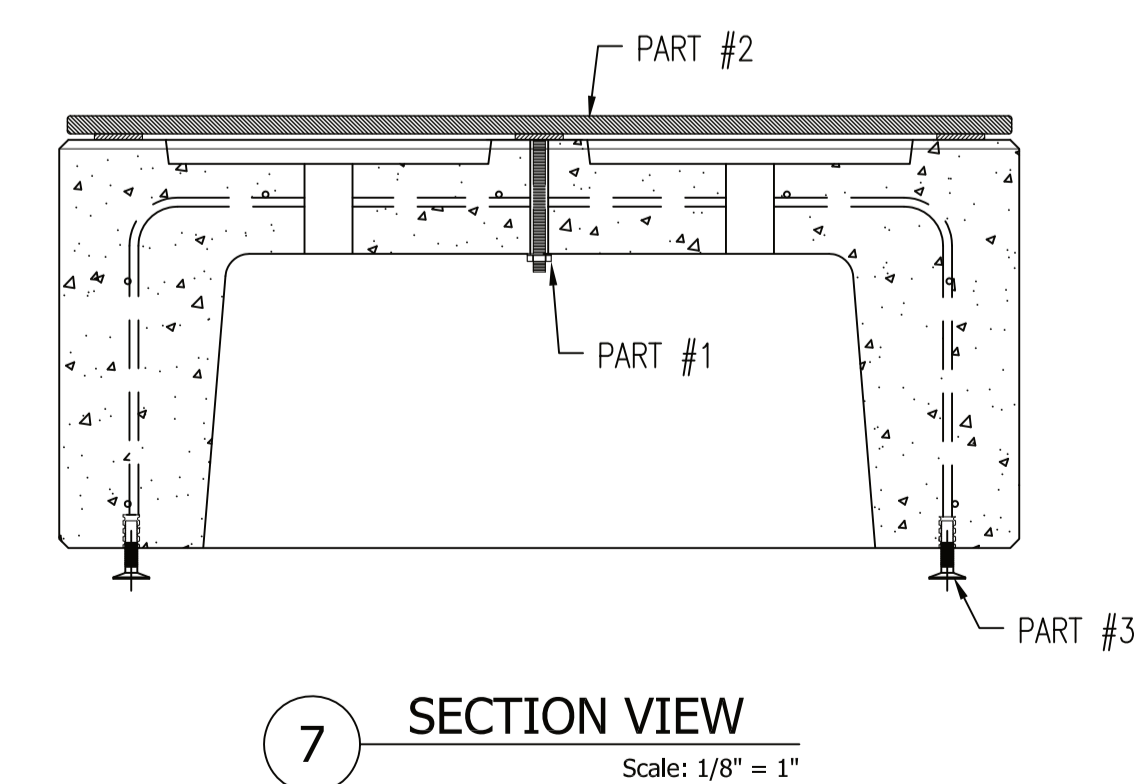
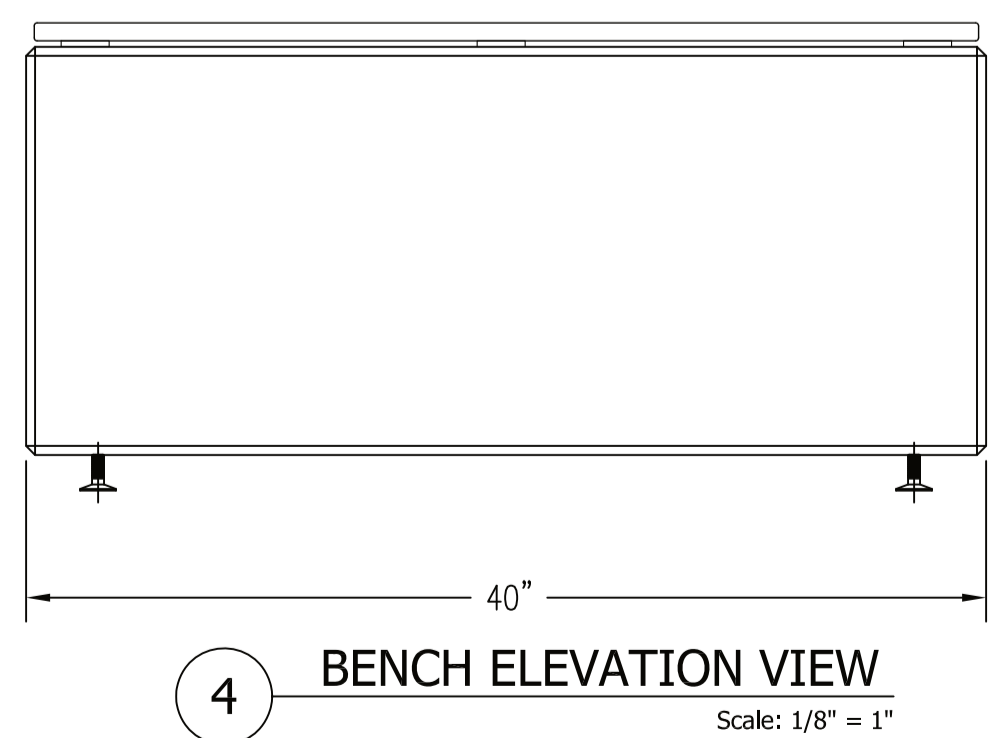
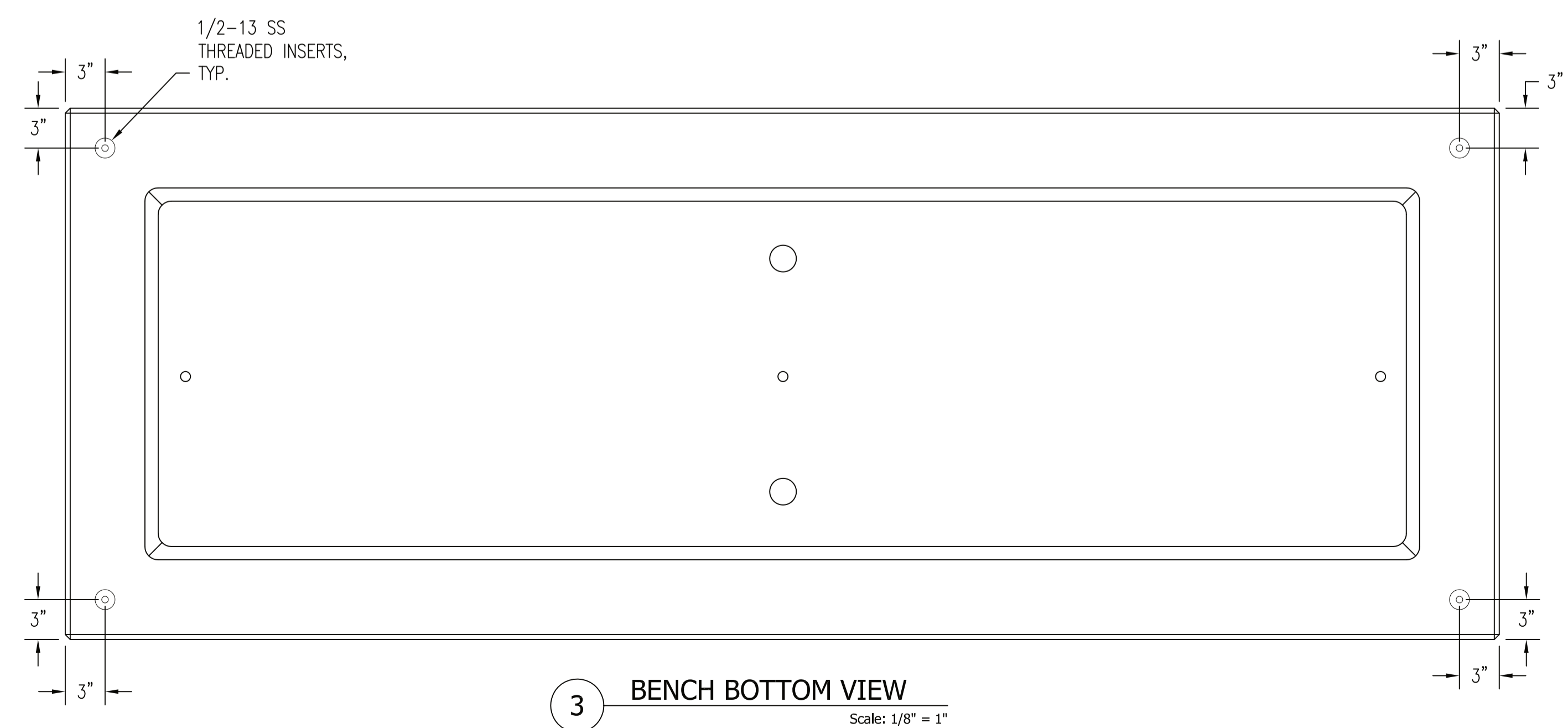
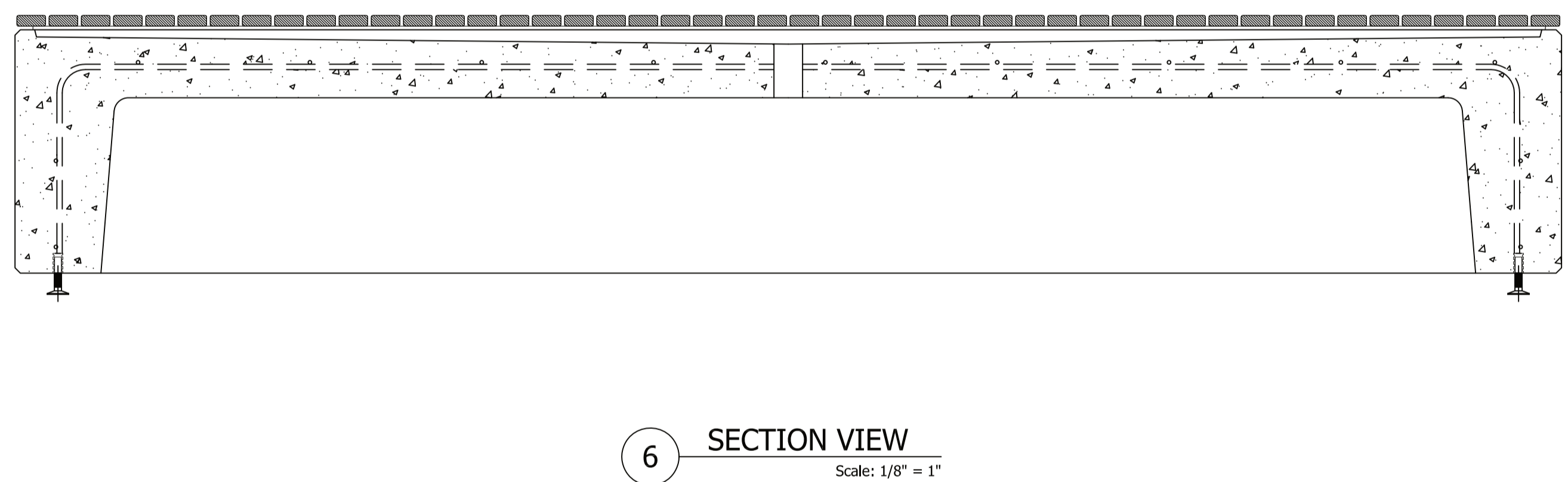
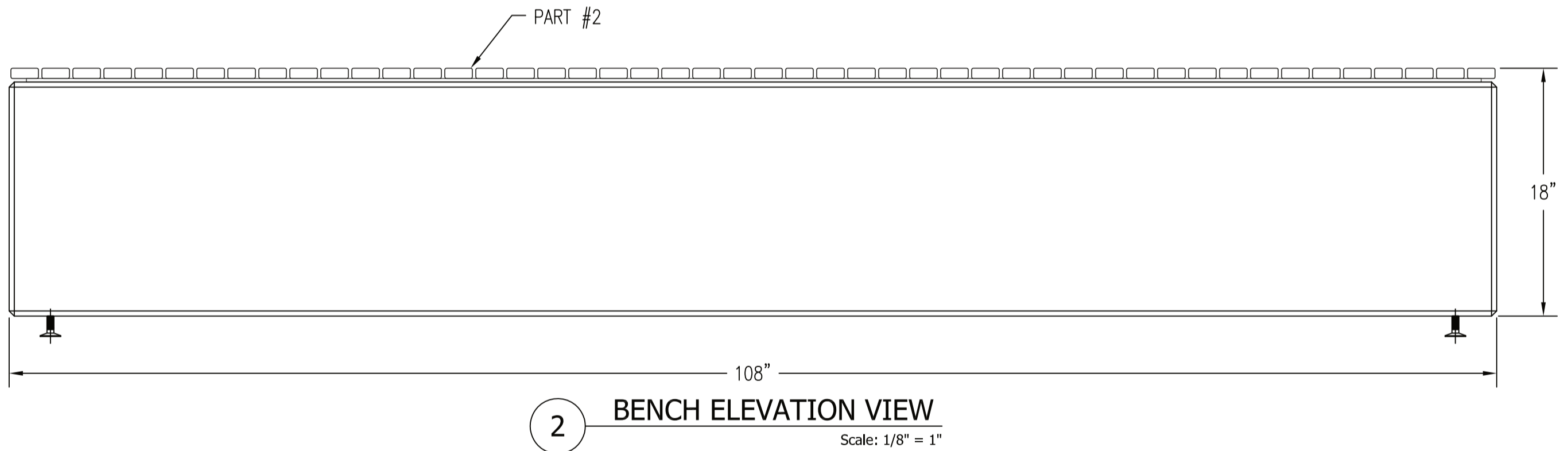
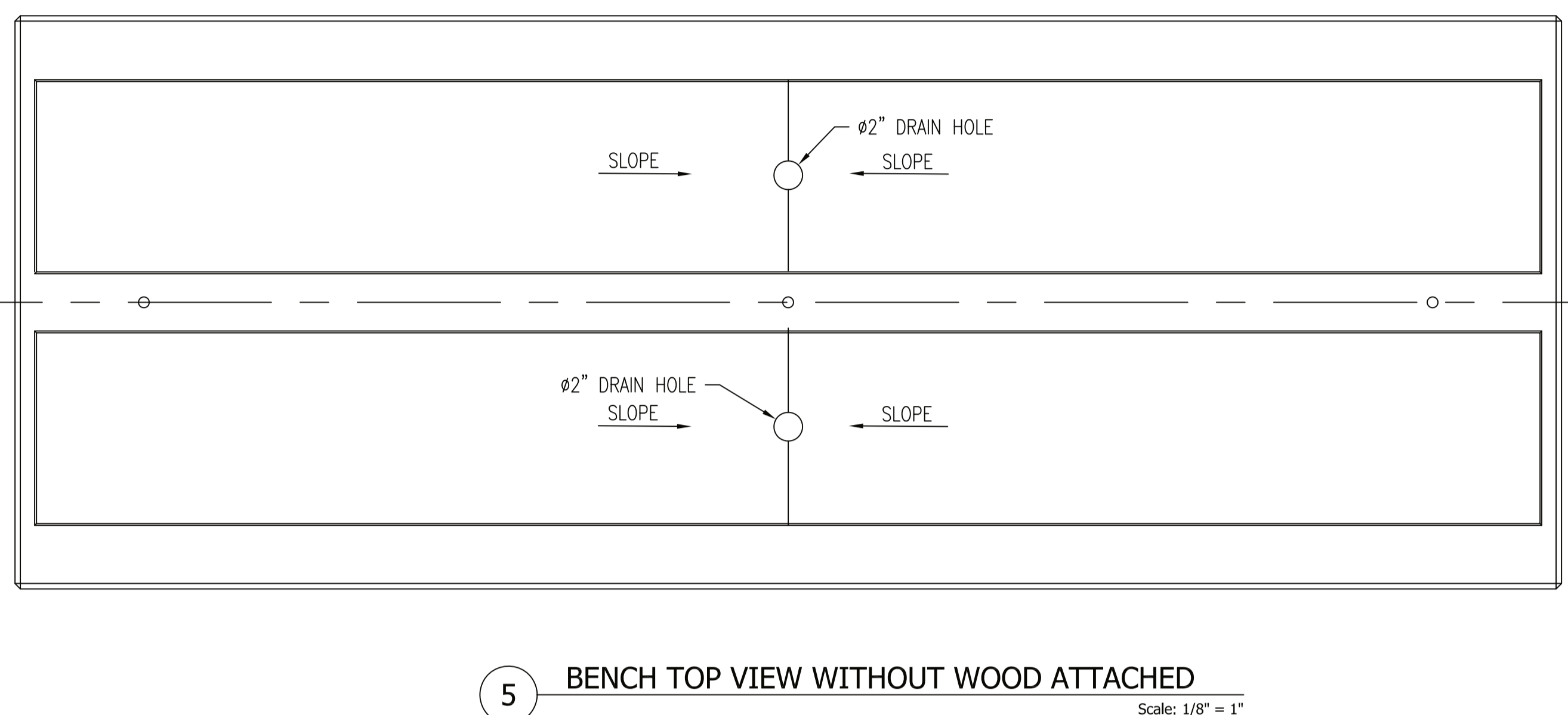
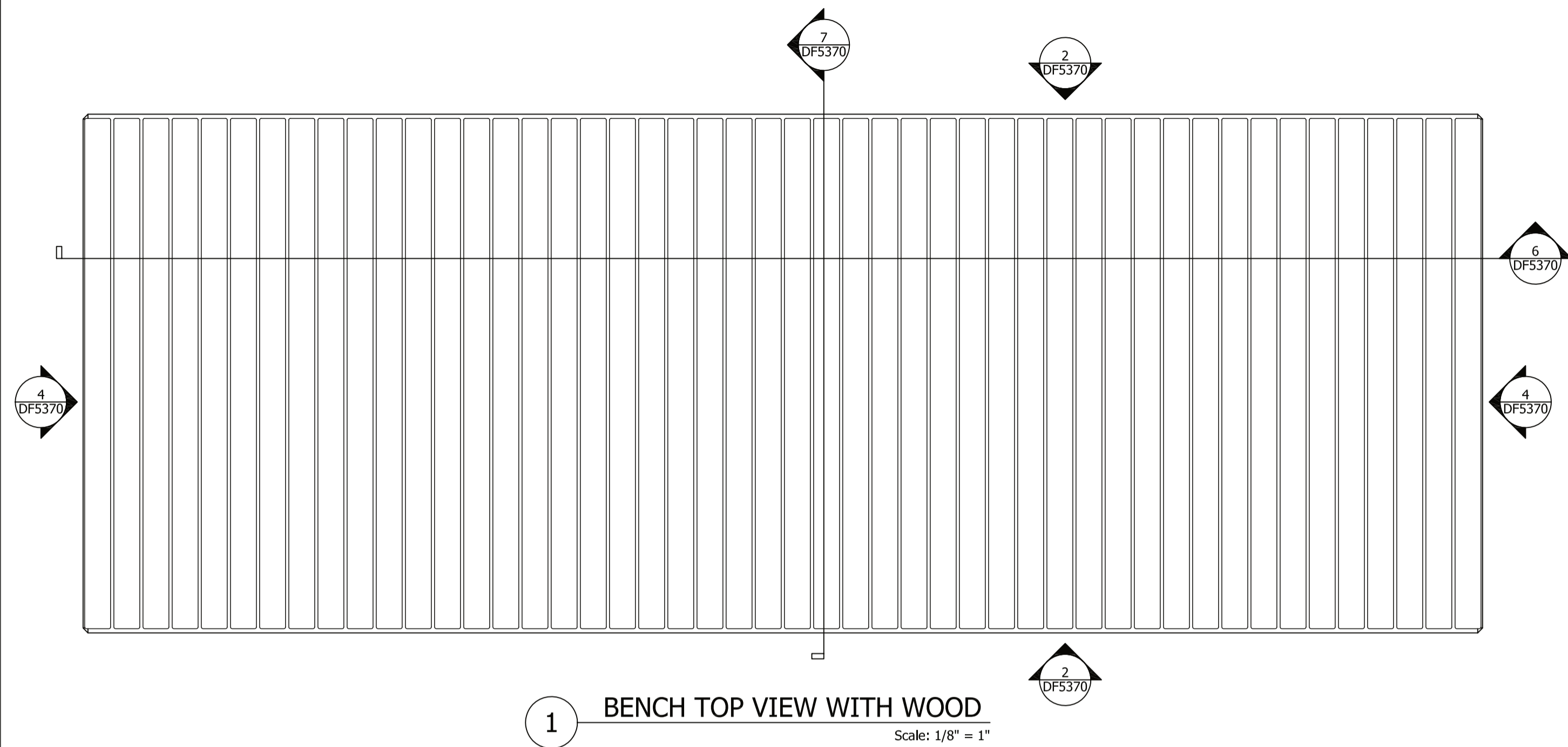
Wood Finish Options

-Standard Wood Finishes

BILL OF MATERIALS				
NO.	PART NUMBER	DESCRIPTION	QTY	NOTES
1	167011	1/2"-13 ZINC FLANGE TOP LOCK NUT	3	
2	352013	WOOD ASSEMBLY	1	
3	TF1997	1/2" ELEVATOR BOLTS	4	

REVISION			
	DRAWN BY	DATE	NOTES
1			
2			
3			
4			
5			
6			
7			

CONFIDENTIAL INFORMATION
 THESE DRAWING, SPECIFICATIONS AND OTHER INFORMATION AND DOCUMENTS ACCOMPANYING THEM ARE THE CONFIDENTIAL AND PROPRIETARY PROPERTY OF WAUSAU TILE, INC. THE DRAWINGS THEMSELVES SHALL BELONG TO THE OWNER FOR USE ONLY ON THE PROJECT. ANY ADDITIONAL USE SHALL REQUIRE THE PRIOR WRITTEN APPROVAL OF WAUSAU TILE, INC. THE PROPRIETARY INFORMATION CONTAINED WITHIN THE DRAWINGS AND THE DOCUMENTS IS AND SHALL REMAIN THE SOLE PROPERTY OF WAUSAU TILE, INC.



BIG BLOCK / WOOD TOP

UNLESS OTHERWISE SPECIFIED DIMENSIONS ARE IN INCHES FRACTIONS ±1/8"

DRAWN BY: SKD
 DATE: 10/15/14
 CO NUMBER: ?
 WEIGHT: 3725 LBS

SHEET NO.
 DF5370