

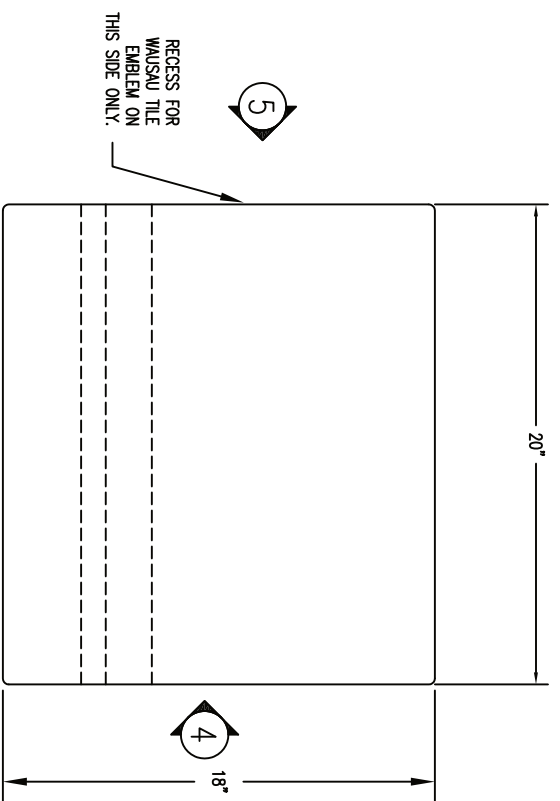


Size:	20" W x 18" D x 16" H
Weight:	220 lbs.
Material:	Reinforced concrete
Reinforcing:	3/8" Steel rebar
Hardware:	(4) 1/2" Dia. threaded inserts

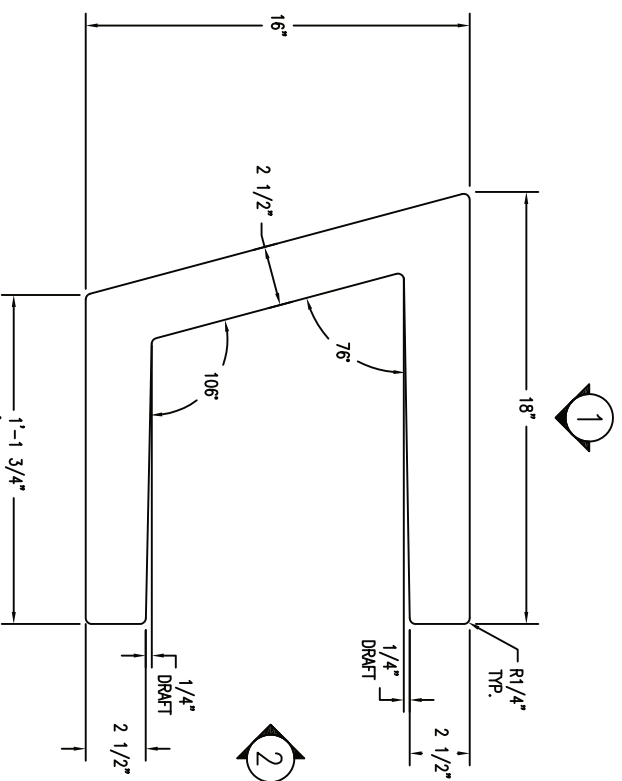
Finish Options

Standard

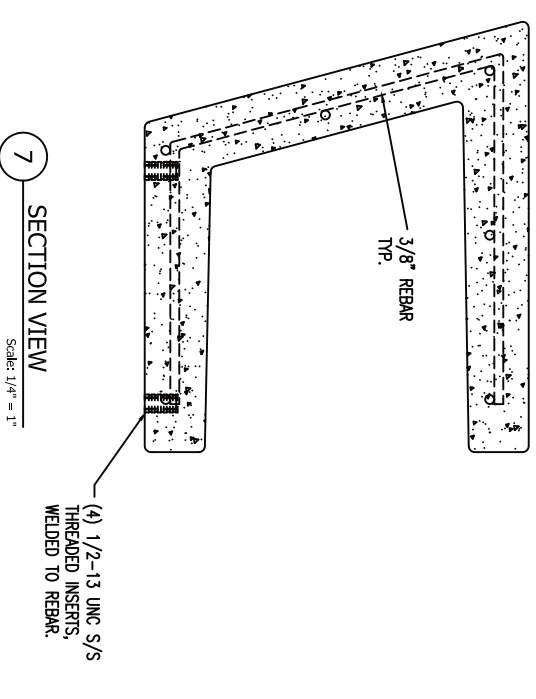
-WS Acid Wash(JC)



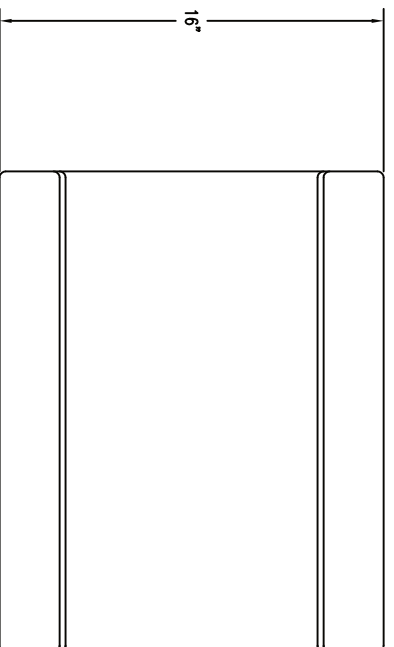
1 TOP VIEW
Scale: 1/4" = 1"



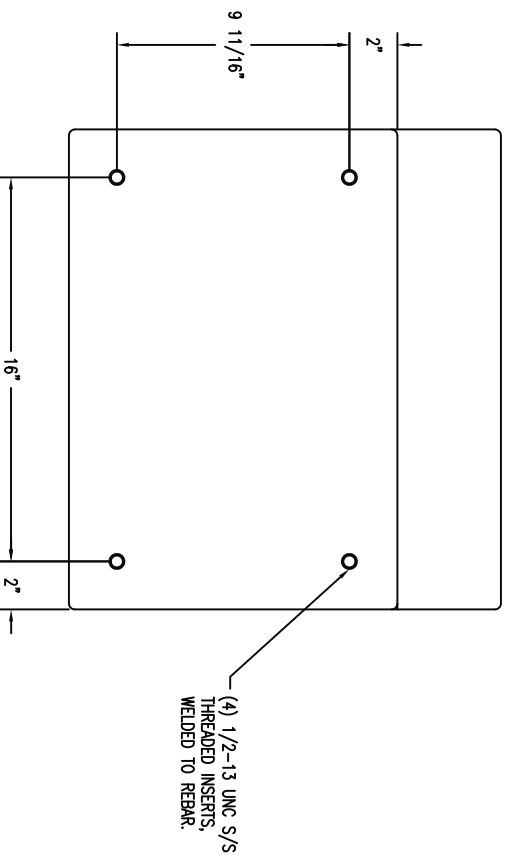
4 END VIEW
Scale: 1/4" = 1"



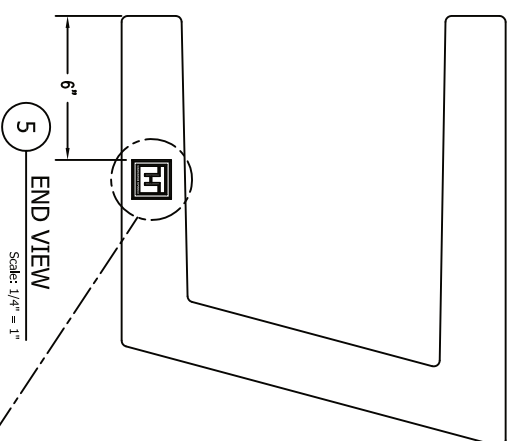
7 SECTION VIEW
Scale: 1/4" = 1"



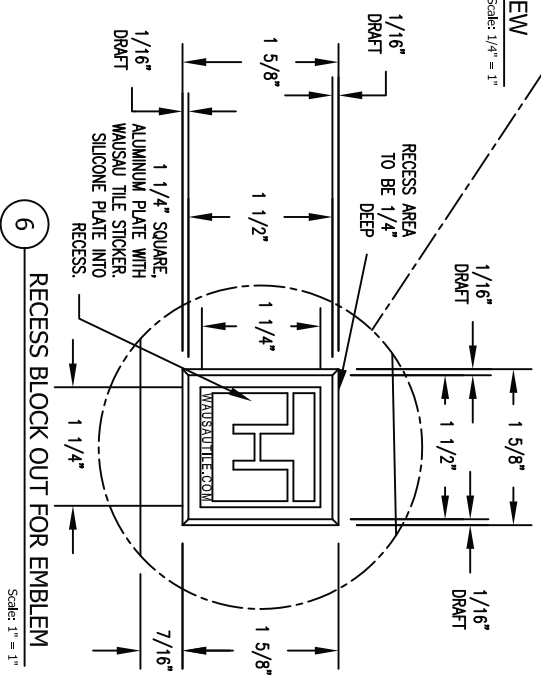
2 ELEVATION VIEW
Scale: 1/4" = 1"



3 BOTTOM VIEW
Scale: 1/4" = 1"



5 END VIEW
Scale: 1/4" = 1"



6 RECESS BLOCK OUT FOR EMBLEM
Scale: 1" = 1"

REVISIONS						DRAWN BY P.A.W.		JOB		MATERIAL	
NO.	DATE	BY	NO.	DATE	BY	JOB NO.	SCALE	LOCATION	WEIGHT	CONCRETE	
1			4				AS NOTED				
2			5								
3			6								

UNLESS OTHERWISE SPECIFIED DIMENSIONS ARE IN INCHES TOLERANCES ±1/8"	DATE 3/12/10	ITEM NO. WS-130
FINISH OPTIONS		DWG. NO. 1 OF 1