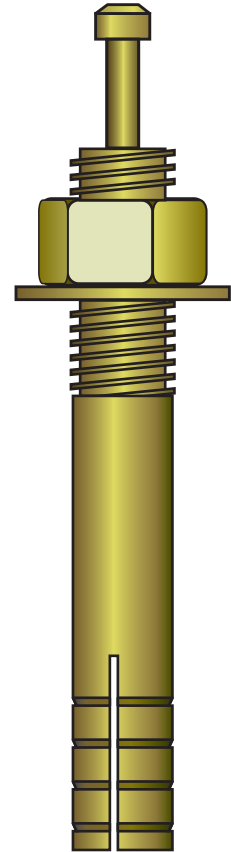


Bolt Down Mounting

Recommendations for mounting the bench legs into concrete.

1. Place the bench where you want to mount it.
2. Mark where the holes are and remove the bench.
3. Drill $\frac{3}{8}$ " holes into the concrete with a masonry bit.
4. The depth of the concrete should be a minimum of 4".
The minimum width of the concrete for surface mounting should be 4".
5. Clean the dust out of the holes.
6. Re-place the bench so the surface mount holes in the feet are over the holes just drilled in the concrete.
7. Place the hit anchor (see picture - right) in the holes and hammer the pin down.
8. Tighten the hex nut on the hit anchor.

Your bench is now secured.

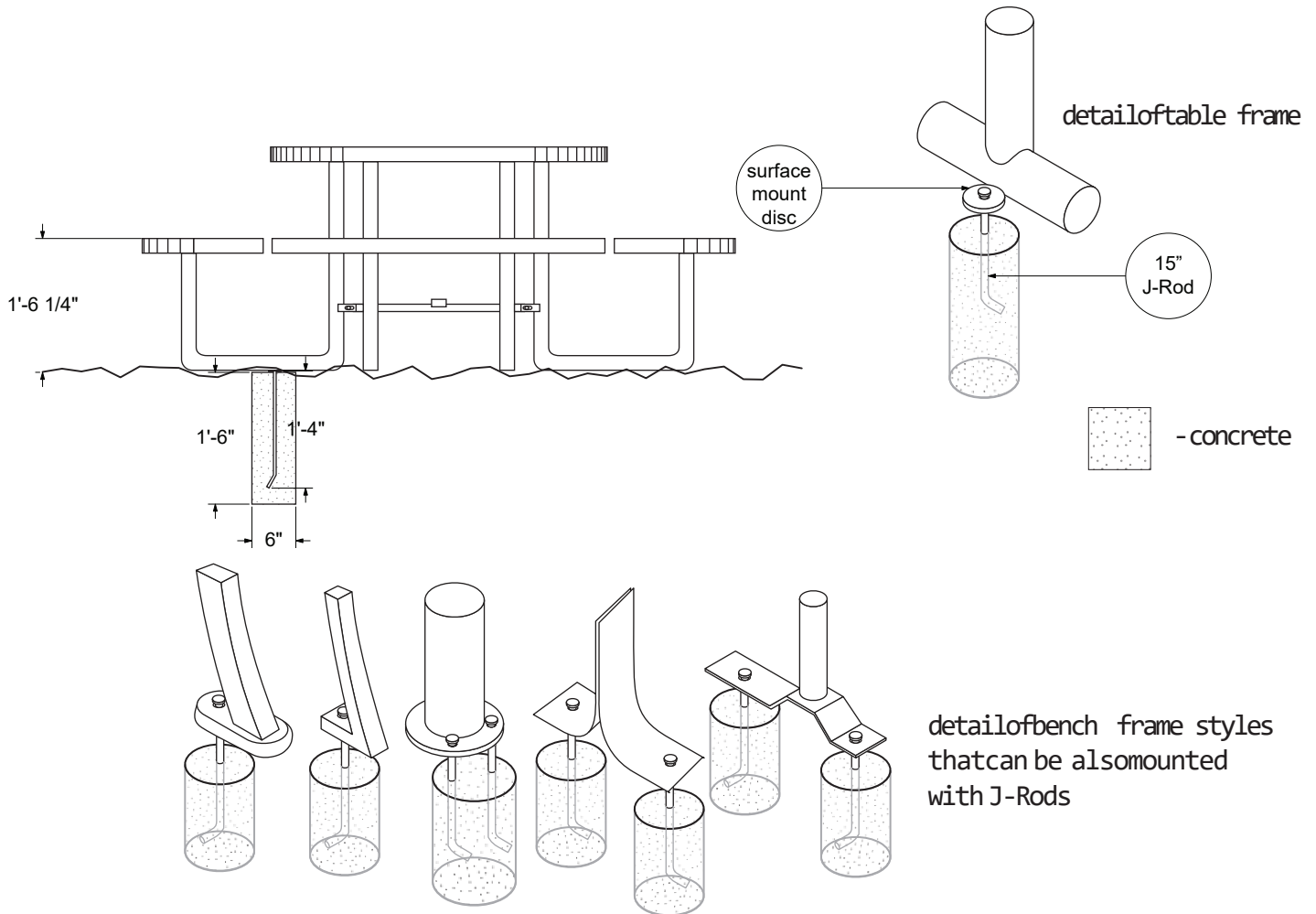


$\frac{3}{8}$ " x $2\frac{3}{8}$ " Hit Anchor

In-Ground J-Rod Mounting

Recommendations for mounting the table with J-Rod in-ground mounts.

1. After placing the table where you wish to mount it, mark the locations of the surface mount discs on the ground. These are where the holes need to be dug.
2. The holes should be dug to a minimum of 18" deep to receive the 16" J-Rod. A 6" diameter is sufficient.
3. Dig all of the holes that you will need to dig and then fill them with concrete.
4. Place the table with surface mount discs over the holes and insert the J-Rods through the surface mount discs and into the wet concrete.
5. When the concrete cures, the table will be securely mounted.



In-Ground Mounting

Recommendations for mounting the bench within-ground mounts.

1. Measure the distance between the in-ground posts and mark the areas where you wish the hole to be dug.
2. The hole should be dug to a minimum of 3x the diameter of the post that is going to be concreted in place.
3. The hole should be approximately 18" deep with a 3" layer of gravel at the bottom of the hole. Make sure the center support tabs on each leg rise above the surface of the ground the bench is being installed in.
4. After placing the bench into the holes and resting on the gravel, cement is then poured to fill in the holes.
5. You should support the bench while waiting for the concrete to cure so that it remains true.

