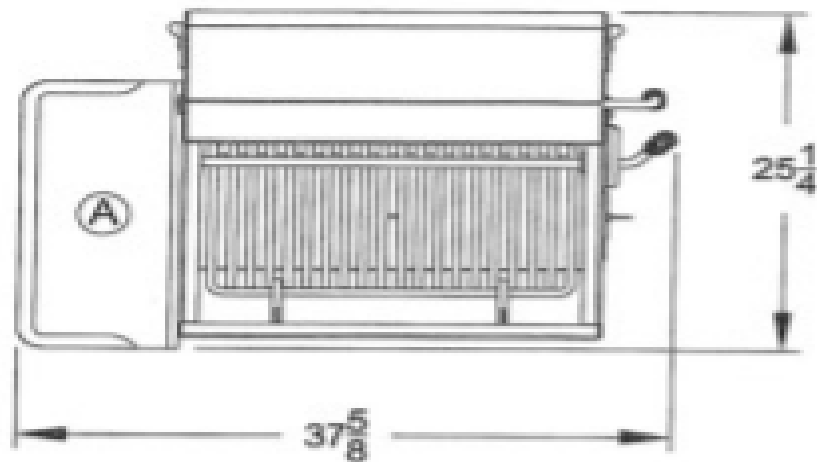
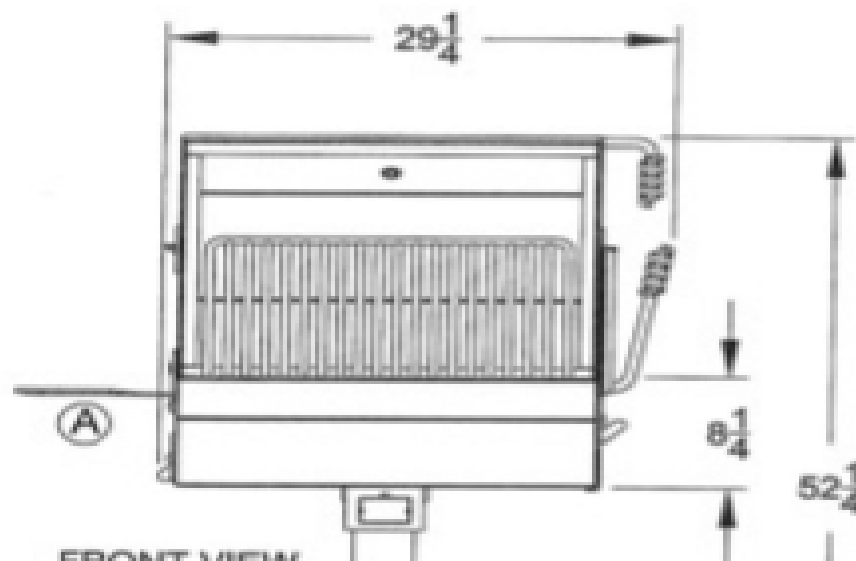
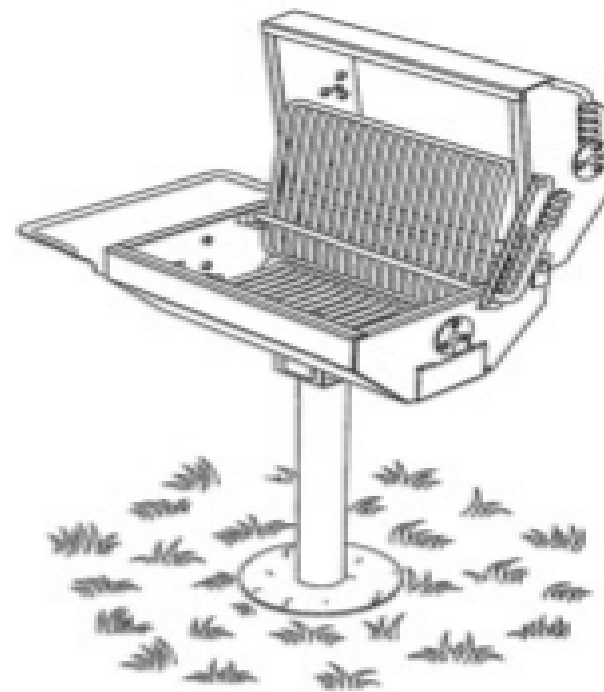


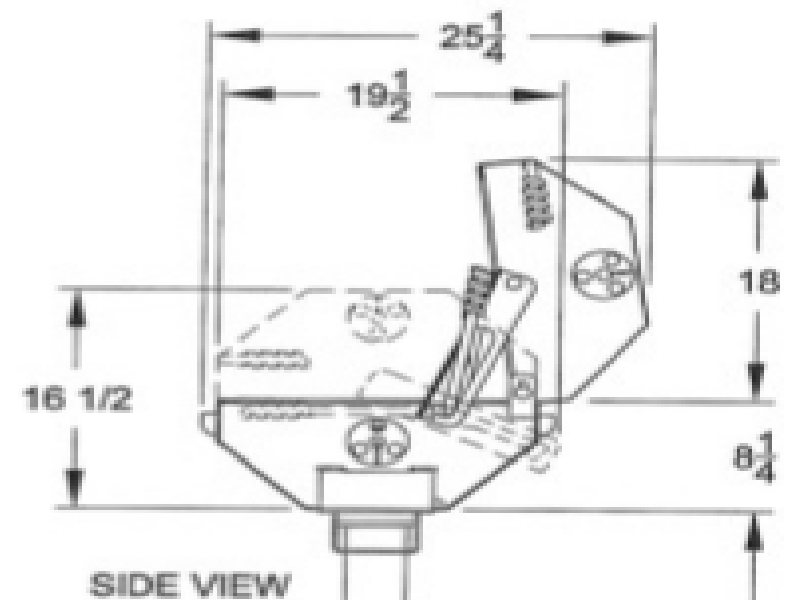
**(A) OPTIONAL UTILITY SHELF**  
 - ADD /S TO MODEL NUMBER



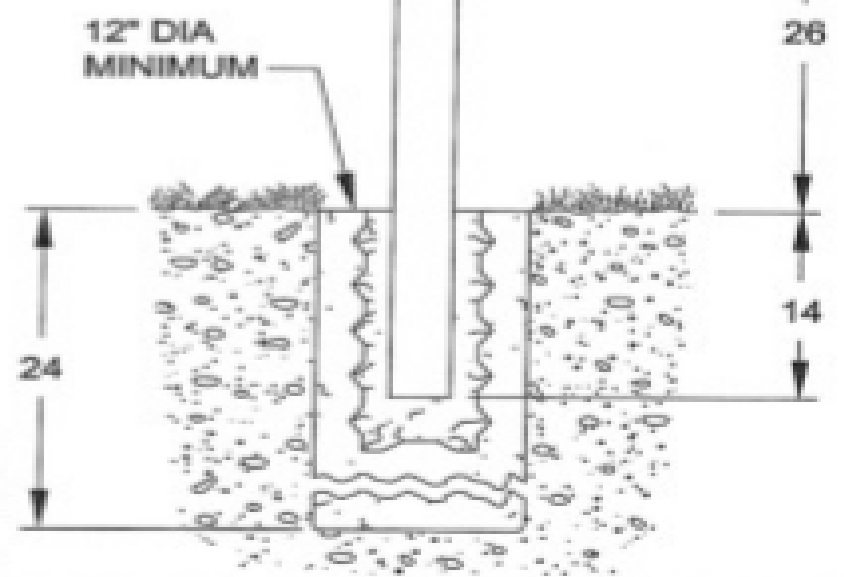
TOP VIEW



FRONT VIEW



SIDE VIEW



NOTE:  
 GRILL SHOWN WITH COVER OPEN AND COOKING GRATE  
 TIPPED UP TO SHOW LOWER FIRE GRATE

NOTE:  
 LOCAL SOIL CONDITIONS MAY  
 REQUIRE A LARGER FOOTING

ALL DIMENSIONS IN INCHES

TITLE  
**COVERED PARK GRILL WITH B2 BASE -SHOWN  
 WITH OPTIONAL SIDE SHELF**

DRAWN BY MGB

DATE 4-8-02

DWG. NO. AI-1464