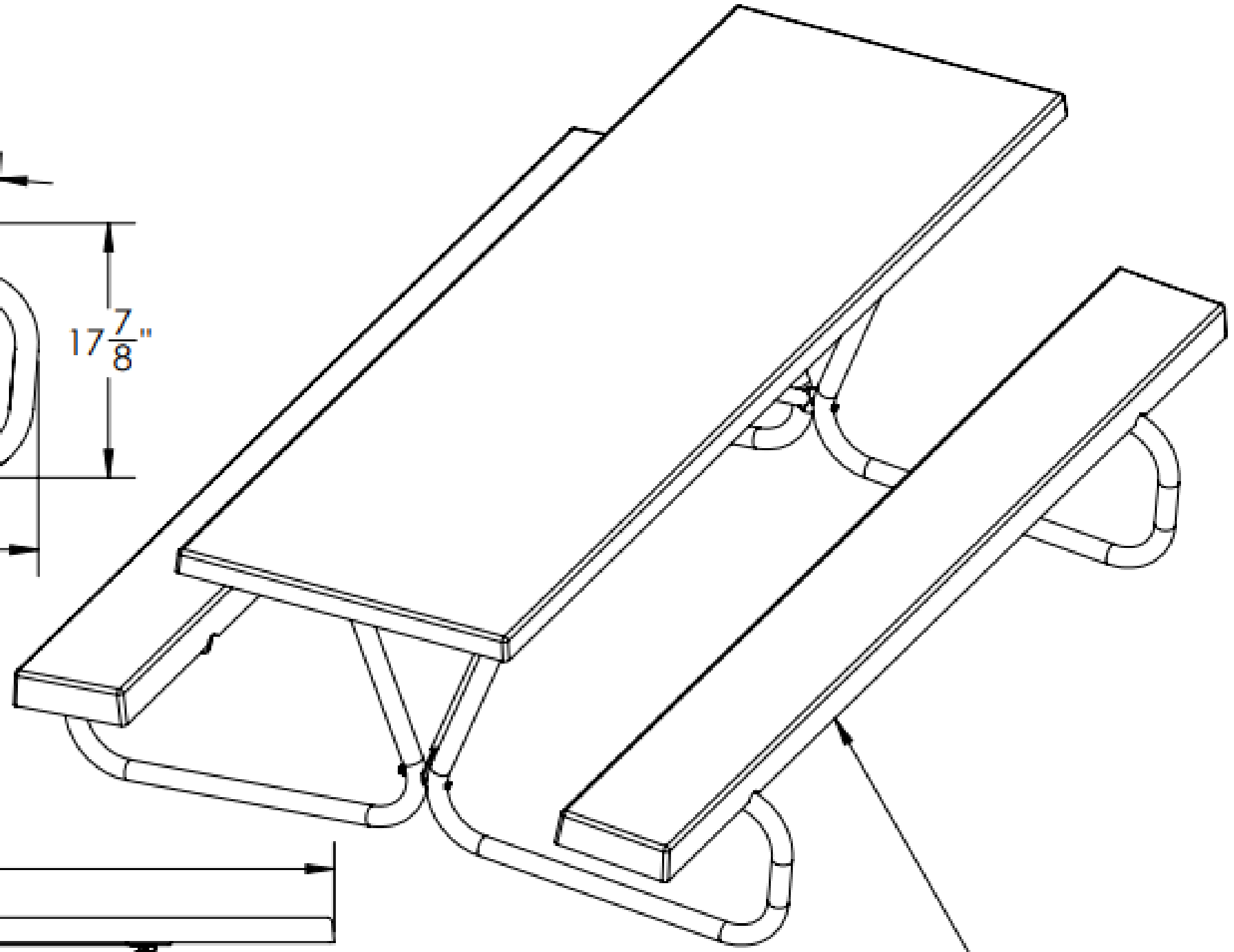
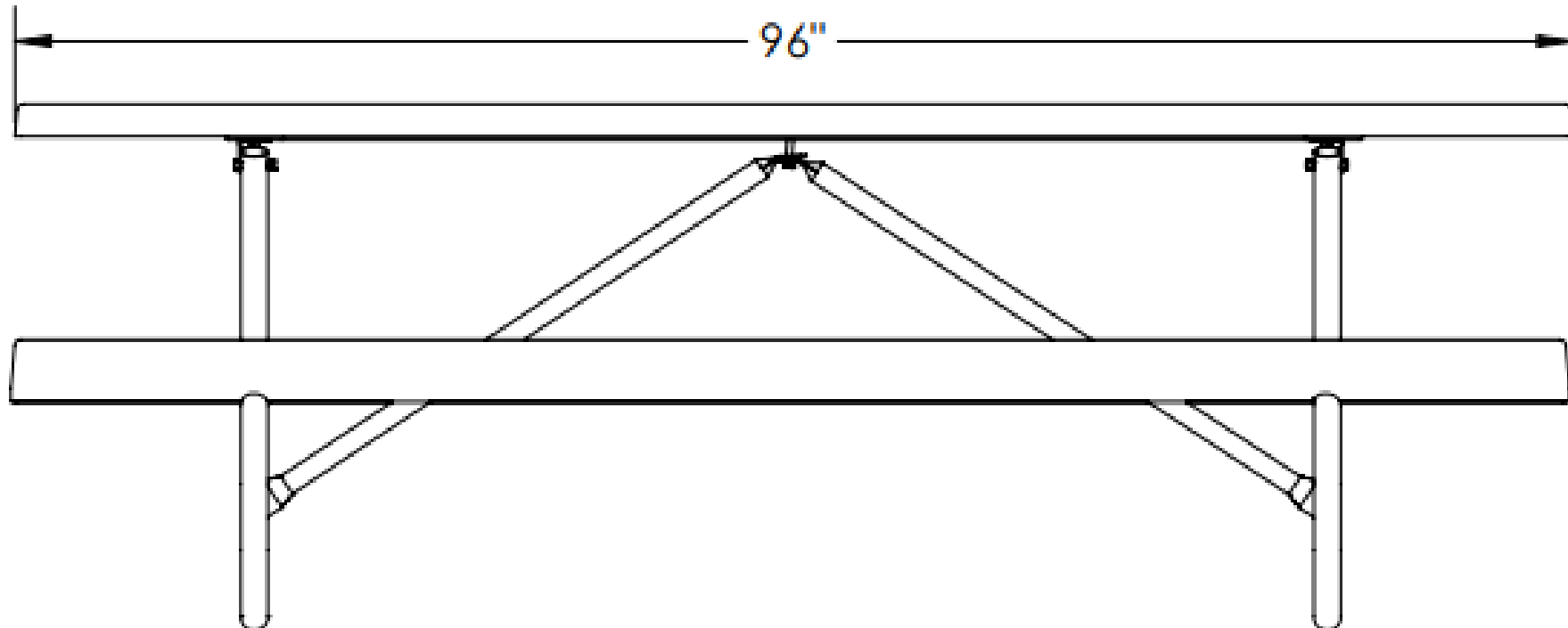


TABLE RESTS ON 4 OUTSIDE CORNERS TO PREVENT ROCKING UNEVEN GROUND



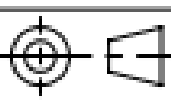
FIBERGLASS TOP AND SEATS



WGT: 260 LBS

GENERAL NOTES

DIMENSIONS ARE IN INCHES
TOLERANCES: LINEAR: ± 1/16
ANGULAR: ± 1°



SHEET SIZE: **A**
SCALE: **1:17**
REV:

CONFIDENTIAL DRAWING.
INFORMATION IS NOT TO BE COPIED OR DISCLOSED TO OTHERS WITHOUT CONSENT OF KAY INDUSTRIES. SPECIFICATIONS SUBJECT TO CHANGE WITHOUT NOTICE.

DRAWN BY: JNB
APPROVED:
LAST SAVED: johnb 6/5/2017

DESC: 8' BG TABLE W/ FIBERGLASS TOP AND SEATS
MATL:
PART NO: 8BGF