

# PRODUCT SPECIFICATIONS

## VICTORIAN PARK BENCH - 60"



Engineered with cross-bolting to prevent end play



CENTER SUPPORT

### FRAME

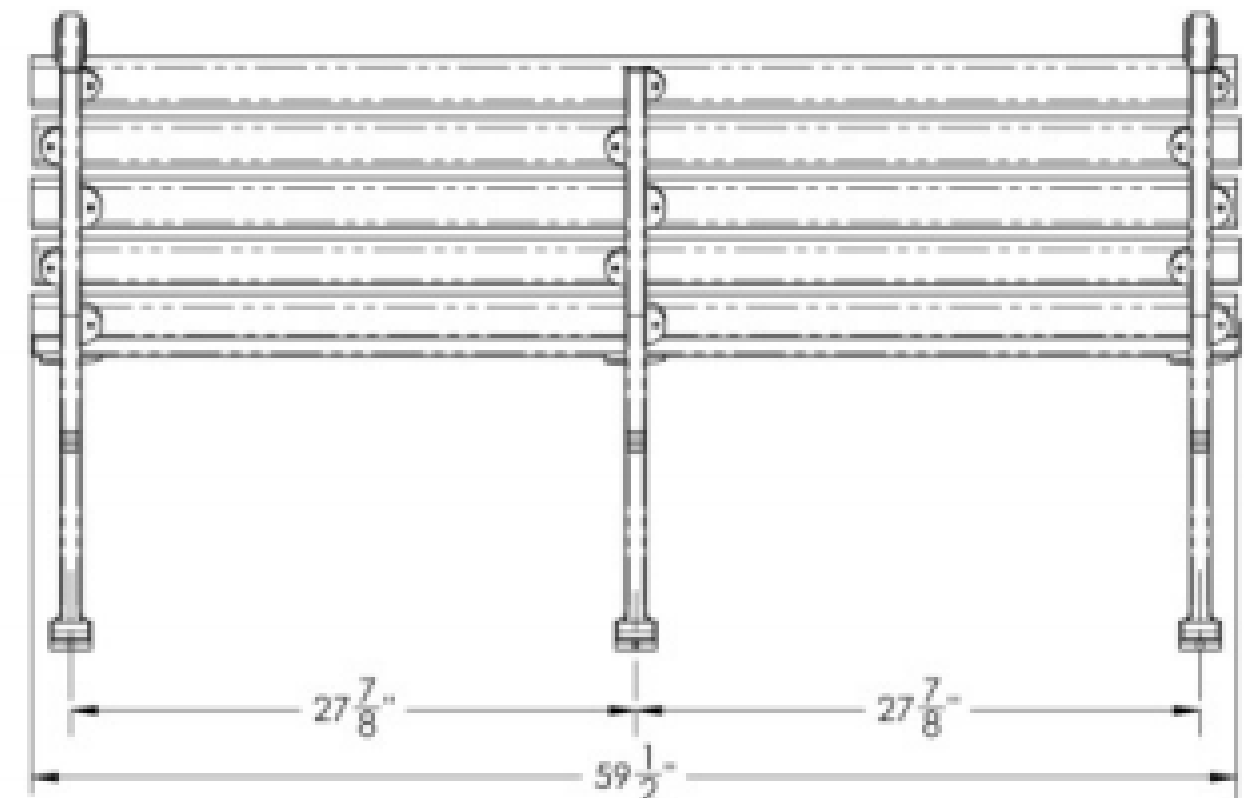
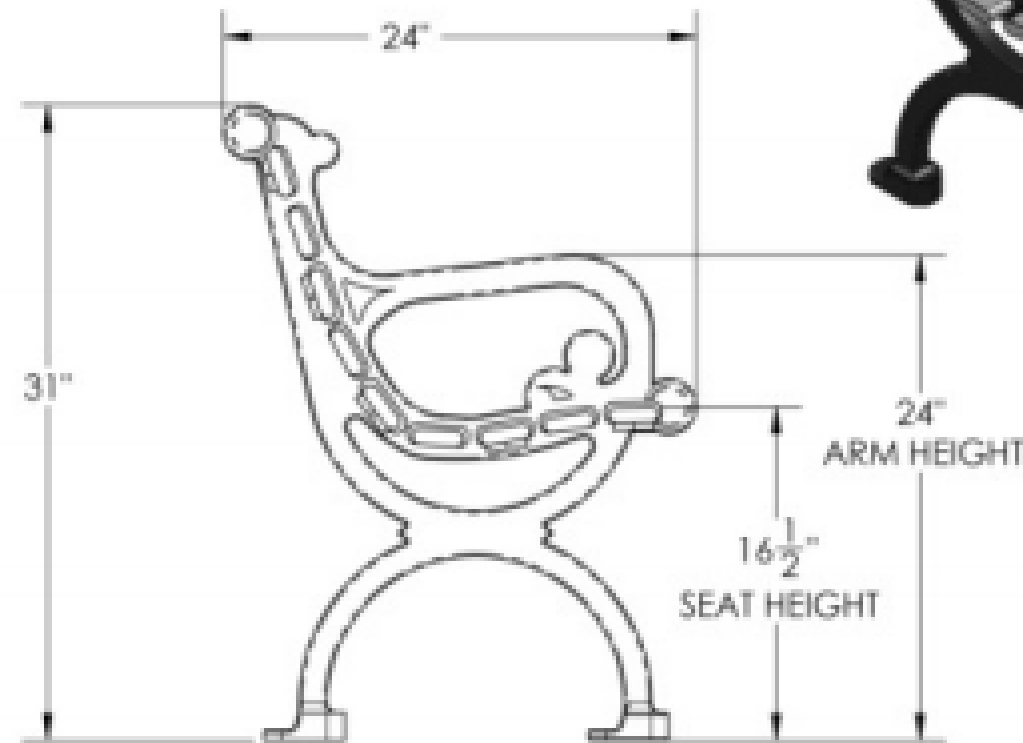
- **Material:** Cast aluminum poured in permanent molds
- **Finish:** Electro static powder coating
- **Color:** Black, White, Green, Tan, Dk. Brown, Dk. Green, Bronze and Blue.

### WOOD RAILS

- **Material:** FAS White Oak
- **Size:** 2 1/2" wide by 3/4" milled two edges 3/4" half round
- **Number of Rails:** 10
- **Finish:** PENOFIN® impact impregnated
- **Maintenance:** Apply PENOFIN® as necessary. Follow manufacture's instructions.

### HARDWARE

- **Carriage Bolts:** 1/4"-20 steel zinc plate, yellow dipped
- **Nuts:** 1/4" steel zinc plate



### BOLT DOWN DETAIL

VICTORIAN and RENAISSANCE benches can be drilled for permanent attachment.

### DESCRIPTION:

### VICTORIAN PARK BENCH - 60"

ADDRESS:  
1380 NORTH AVE.  
DANVER, CALIFORNIA 95827  
PHONE: (909) 875-6200  
FAX: (909) 875-1401  
kingsrivercasting@earthlink.net

THE INFORMATION CONTAINED IN THIS DRAWING IS THE SOLE PROPERTY OF KINGS RIVER CASTING. ANY REPRODUCTION IN PART OR WHOLE WITHOUT THE WRITTEN PERMISSION OF KINGS RIVER CASTING IS PROHIBITED.

WEIGHT: 90 LBS

SCALE: 1:10

MODEL NUMBER:

VBP - 60"

SHEET  
B