

Spring Rider - Sit In - Moon Buggy • Model TFS0036XX

INSTALLATION GUIDELINE

USER GROUP: 2-5 Years

RECOMMENDED CREW: 1-2 People

TOOLS REQUIRED:

- 3/4" Hex
- Level, Square
- Auger / Post Hole Digger / Shovel
- Drill Bits: 5/8"
- High Speed 3/8" Electric Drill with Clutch
- Wood / Plastic Saw

NOTE: Use of any other driver may result in damage to tool and/or hardware!

INSTALLATION TIME: 1 Hour

WEIGHT: 102 lbs.

CONCRETE REQUIRED: (6) 80lb. bags - 3.5 ft³

NOTE: Concrete must have a minimum rating of 2,500 psi and must be mixed per manufacturer's recommendations.

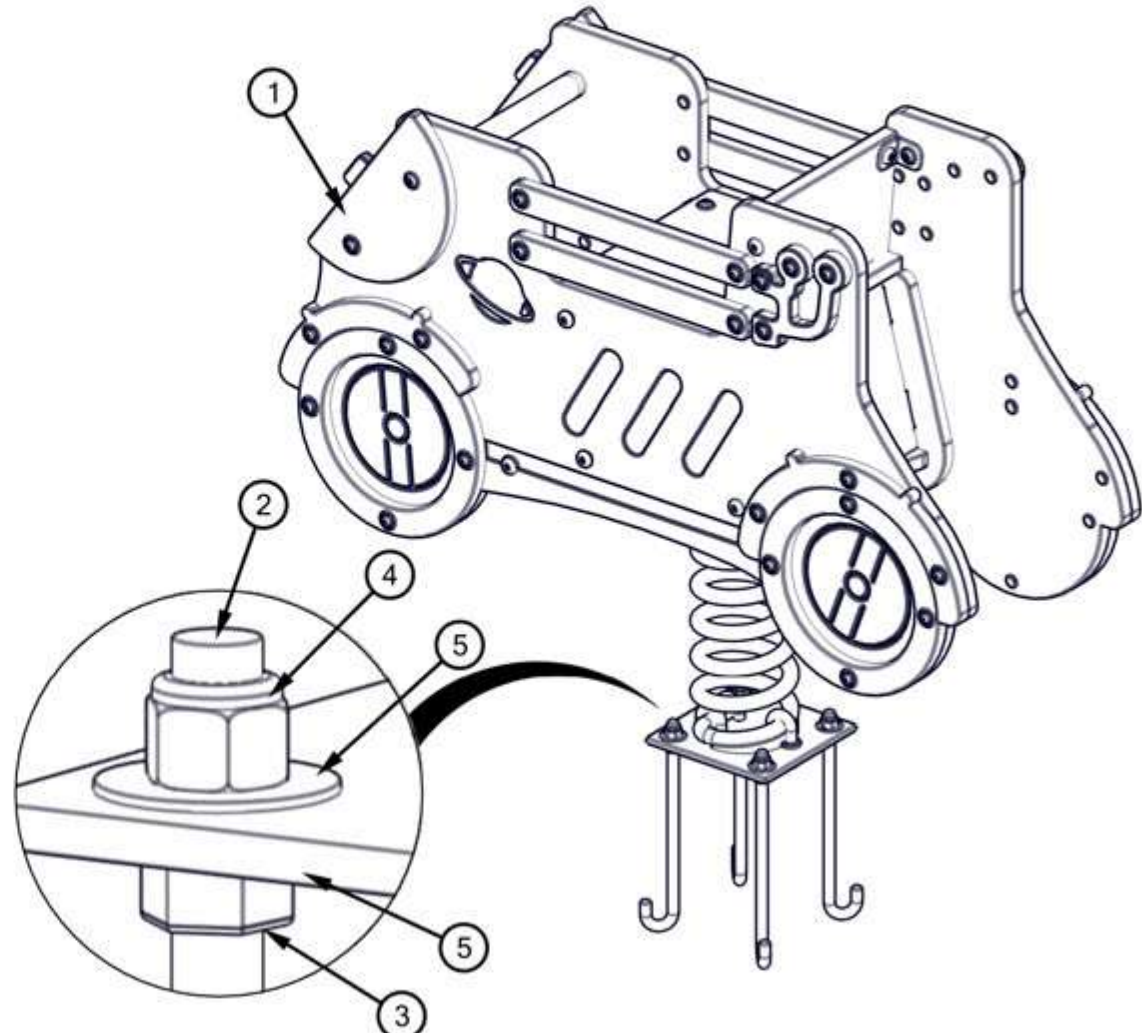
ITEM	Part No.	QTY	DESCRIPTION
1	RSA-2139XX	1	Pre-Assem. - 1 Seat Moon Buggy
2	HWA0009	4	Anchor 1/2 x 12-1/2 SS J-Bolt
3	HWN0014	4	Nut 1/2-13 Hex - Zinc plated
4	HWN0025	4	Nut - 1/2"-13 Nylock 316 SS
5	HWWR0022	8	Washer 1/2" ID x 1 1/4" Flat Washer 316SS

PRE-INSTALLATION CHECK:

Customer is responsible for verifying materials received by comparing received items with packing list. If any parts are missing or damaged, contact your local sales representative immediately.

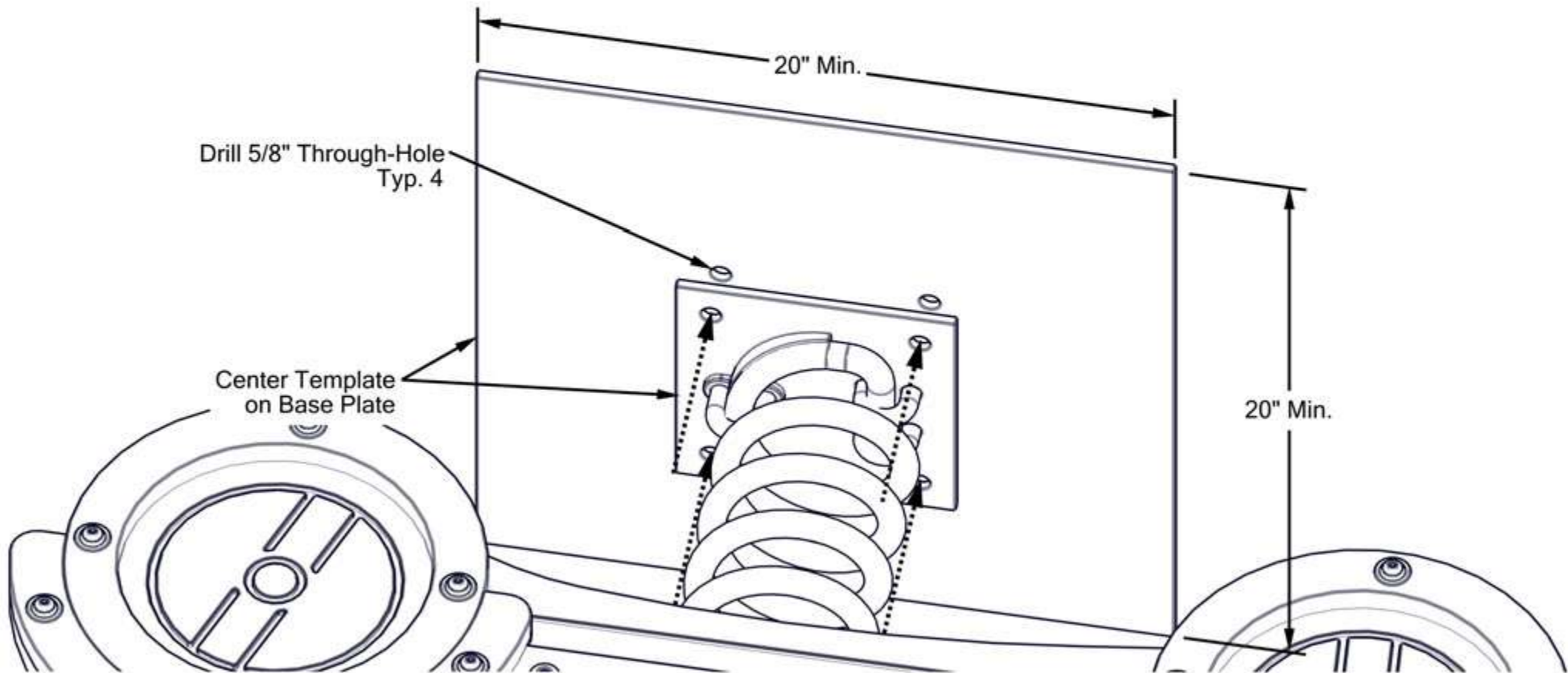
Supplier is not responsible for items discovered missing after 72 hours from time of delivery.

Before beginning installation, all installers must read and understand the Installation Introduction manual as supplied. If you did not receive a copy, or if you have any questions regarding any information in the Installation Instructions or this Installation Guideline, contact your local sales representative.



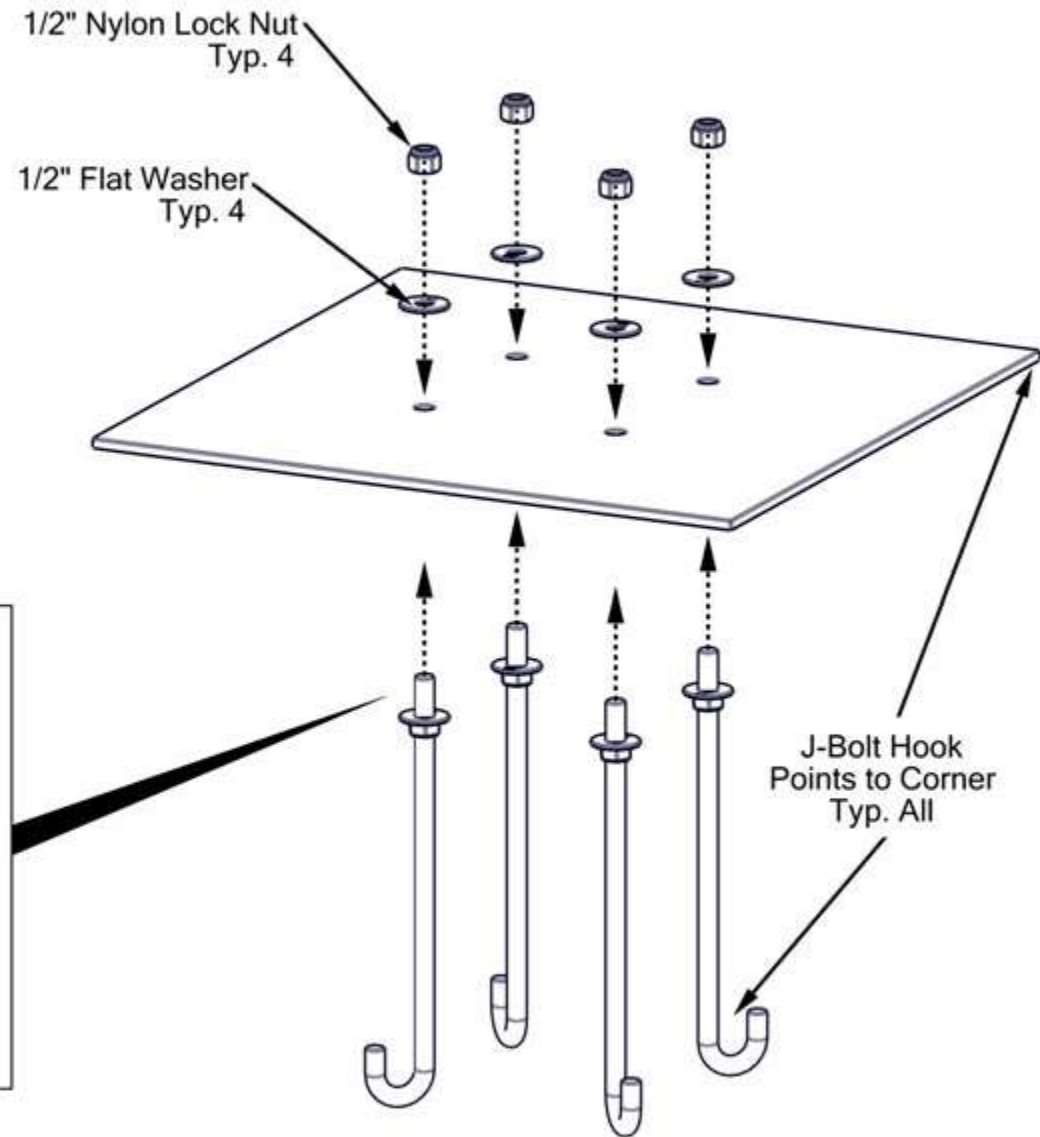
STEP 1

Use scrap poly sheet, plywood, etc. (not included) to create anchor bolt template. Cut a square piece of material a minimum of 20" x 20". Center template on spring base plate. At each hole in spring base plate, drill one (1) 5/8" hole through template.

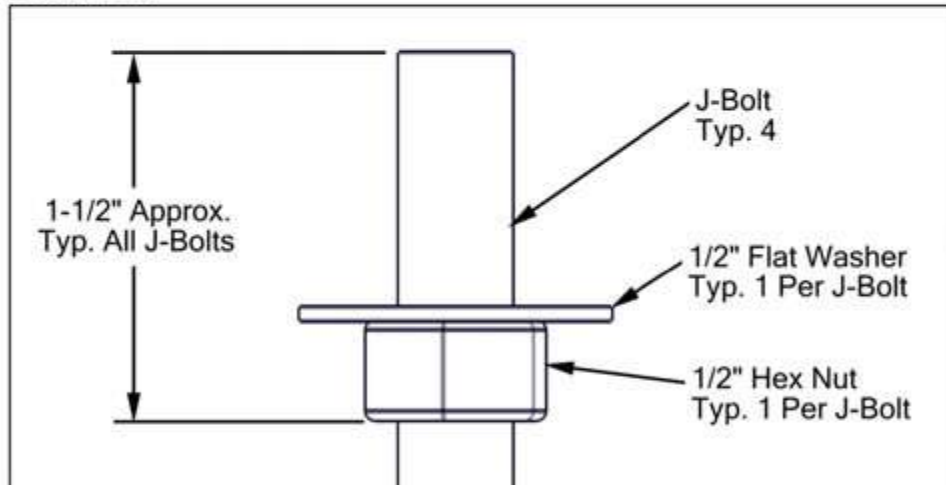


STEP 2

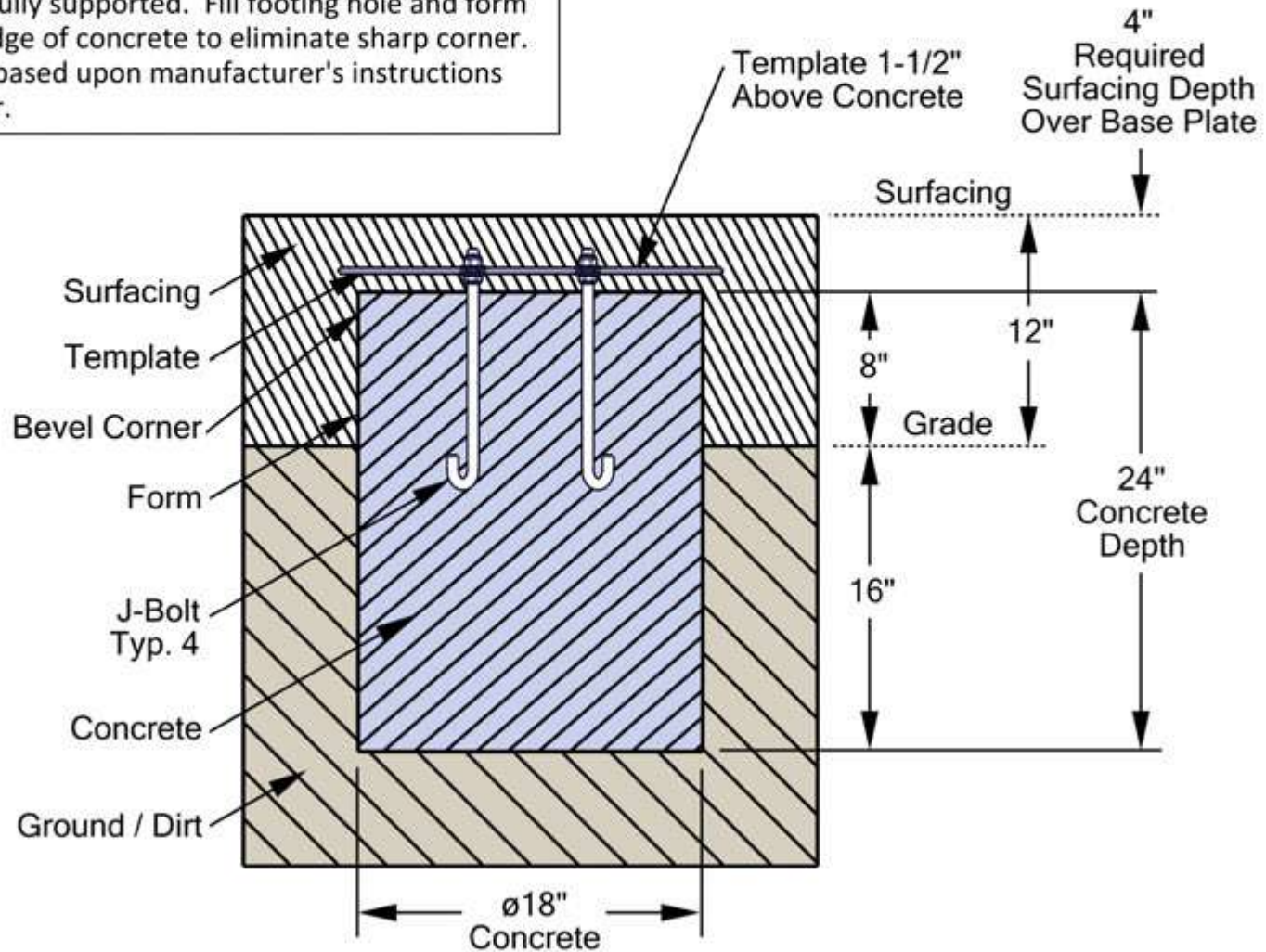
Mount J-bolts to template. For each J-bolt, mount one (1) 1/2" hex nut and one (1) 1/2" flat washer. Ensure all nuts and washers are same distance from bottom of nut to end of J-bolt. See Detail 2-1. Place each J-bolt through holes in template. Hook of J-bolts should point to corners of template. Secure each J-bolt with one (1) 1/2" flat washer and one (1) 1/2" Nylon lock nut.



Detail 2-1



STEP 3
 Prepare footing hole and set J-bolts. Concrete footing for J-bolts must be 18" diameter and 24" tall with 8" of concrete ABOVE GRADE and 16" of concrete BELOW GRADE. Position template 1-1/2" above top of concrete level so hex nuts can be adjusted. Hex nuts will be used to level spring rider. Center J-bolts on footing hole. Ensure template is level. Ensure template is fully supported. Fill footing hole and form to proper level. Bevel top edge of concrete to eliminate sharp corner. Allow concrete to fully cure based upon manufacturer's instructions before mounting spring rider.



STEP 4

Ensure concrete is fully cured. Remove top 1/2" lock nuts and 1/2" flat washers. Remove template. Place spring rider assembly onto J-bolts. Replace 1/2" flat washers and 1/2" lock nuts. Elevation of rider seat above finished surfacing **MUST BE 22" to 28"**. See Detail 4-1. Adjust 1/2" nuts below and above rider base plate to level rider. Check all connections and ensure structure is stable. Installation is complete. Place one (1) Age Appropriate Sticker on structure in a clearly visible location.

Detail 4-1

