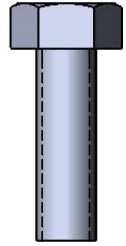
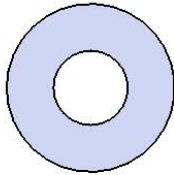


MODEL # B4WBMODERNS

HARDWARE



5/16" x 1"
Machine Bolt



5/16" Washer



5/16" Kep Nut

PRODUCT SPECIFICATIONS

B4WBMODERNS INGROUND CONTOURED BENCH WITH BACK

Seats: Seats dimensions are 24-3/4" x 15-1/8". 3/4" #9 steel expanded metal. End plates are made of 7 gauge flat steel plate. Reinforced with 3/16 x 1-1/2" flat strip. Electrically MIG welded.

Coating: Oven fused functionalized polyethylene copolymer-based thermoplastic. Fluidized bed coating application with superior mechanical performance, impact resistance and UV-stability.

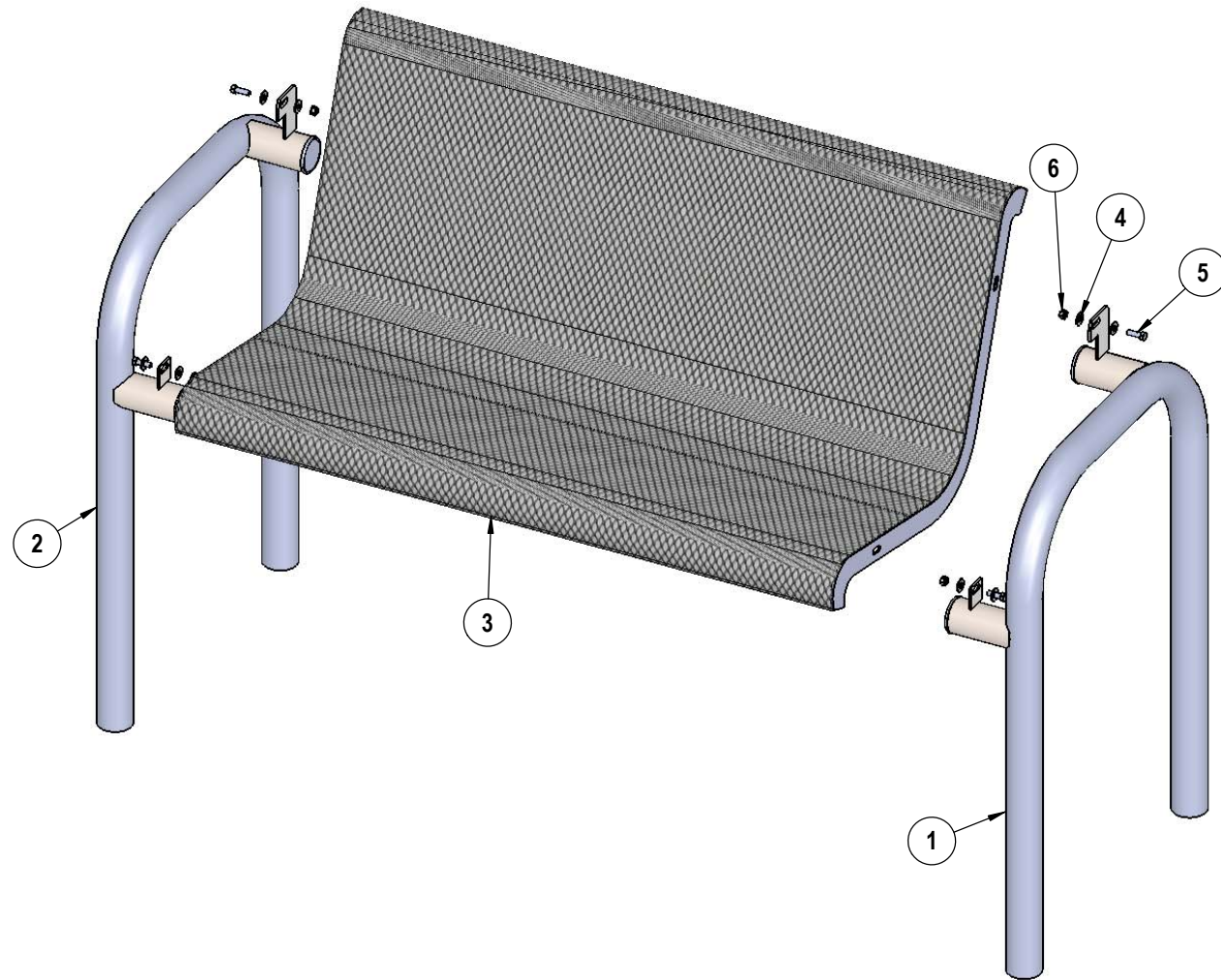
Frame: Legs are 2-3/8" O.D. x 10 gauge pre-galvanized structural steel tubing. Seat support is bent over a mandrel through the bend radius producing a wrinkle free bend. Tube ends are pre-galvanized steel capped. Seat mounting points are 7 gauge x 1-1/2" die stamped steel flat bar. Spreader bars are 2-3/8" O.D. x 10 gauge pre-galvanized structural steel tubing. All electrically MIG welded.

Frame Coating: Electrostatic powder coated application oven cured.

Hardware: All stainless steel hardware fasteners.

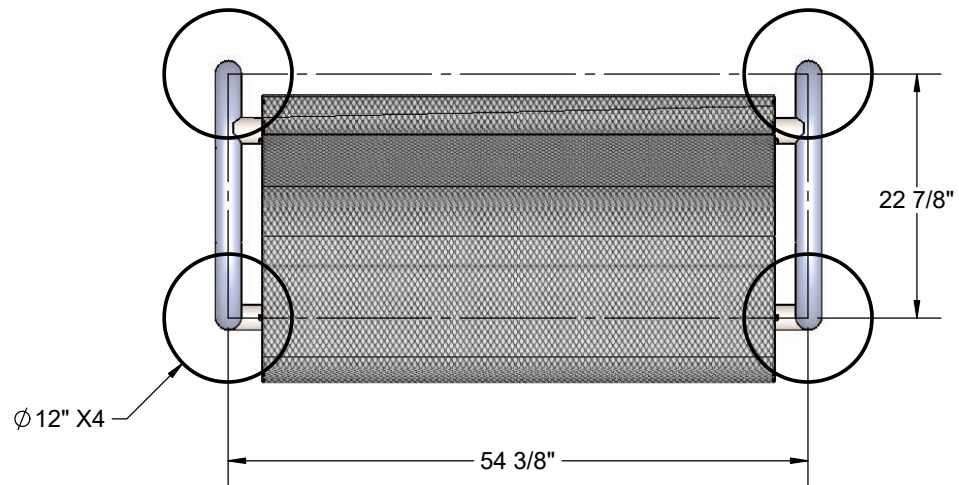
Dimensions: 4' inground bench with back. Seats are 27" wide x 48" long. Seat height is 18" from the ground to the top of the seat. The overall dimensions are 56-1/2" x 30-1/4" x 33-1/2".

COMPONENTS

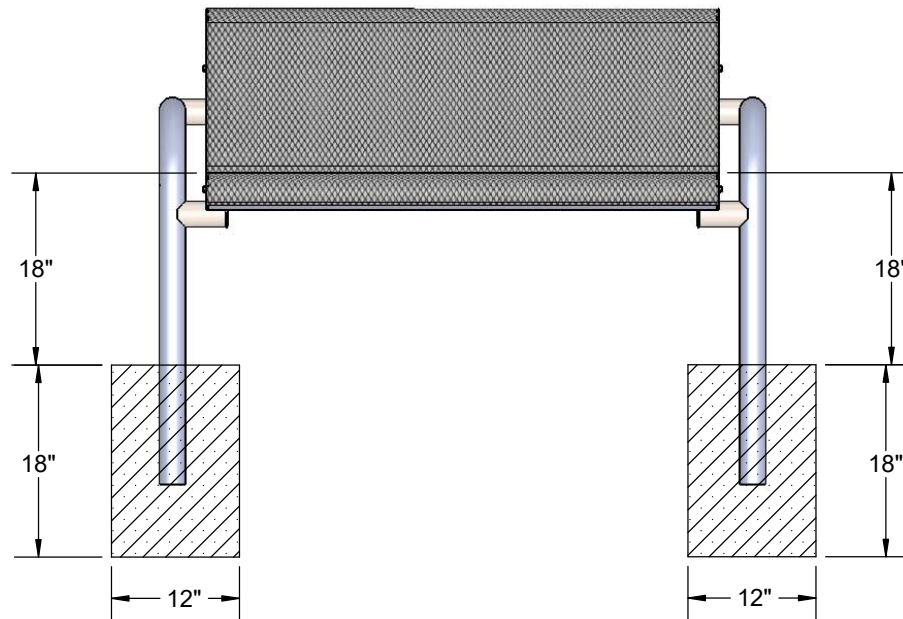


| ITEM NO. | PartNo | DESCRIPTION | QTY |
|----------|------------|------------------------------|-----|
| 1 | P-V965S-L | 965S LH LEG | 1 |
| 2 | P-V965S-R | 965S RH LEG | 1 |
| 3 | T-V48CT-S | 4' Expanded Contour Seat | 1 |
| 4 | 33-02-0007 | 5/16" SS Washer | 8 |
| 5 | 33-05-0029 | 5/16" x 1" Machine Bolt (SS) | 4 |
| 6 | 33-03-0012 | 5/16" Kep Nut (SS) | 4 |

FOOTINGS



Estimated Required Concrete:
13 - 50lb Bags of Concrete Mix



OVERALL DIMENSIONS

